

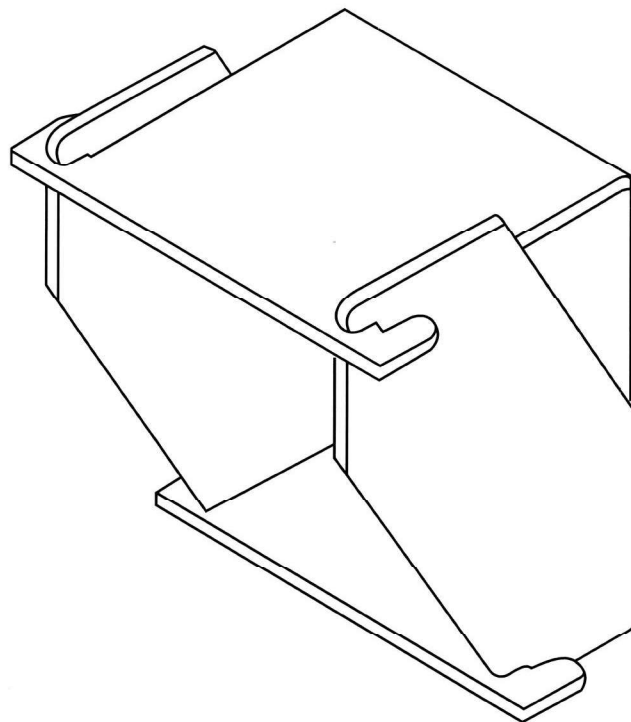
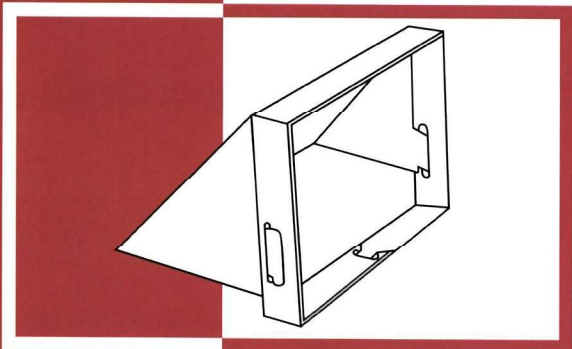
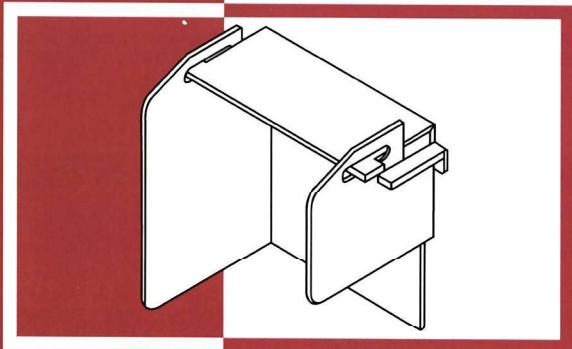
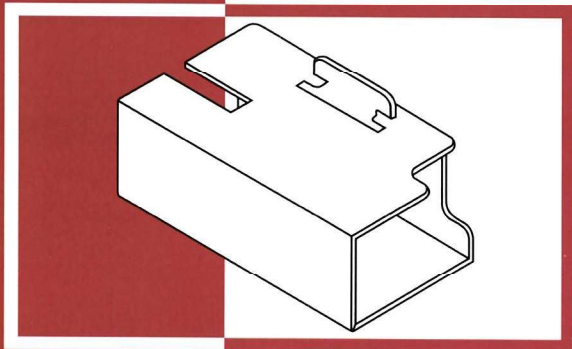
ITW Formex[®]

FORMEX™ N3

HALOGEN FREE

FLAME RETARDANT

MULTI-LAYER POLYCARBONATE SHEET



- Flammability Rating UL 94 VTM-0
- H2O Absorption 0.24%
- Temperature Rating 130°C/266°F
- Dielectric Strength 2,004 Volts/mil @0.008"
- Meets IEC 60950-1 or UL60950-1 with a thickness less than 0.43mm/0.017inches
- UL Recognized File E121855

For more information or Formex N3 samples, please contact us at 630-315-2171.

425 N. Gary Ave. Carol Stream, IL 60188

www.itwformex.com